

Panasonic

Quick Reference Guide

Proprietary Telephone

Model No. **KX-AT7730**

Thank you for purchasing this Panasonic product.

Please read this manual carefully before using this product and save this manual for future use.

IMPORTANT NOTICE:

Under power failure conditions, this telephone may not operate. Please ensure that a separate telephone, not dependent on local power, is available for use in an emergency.

Note

- In this manual, the suffix of each model number is omitted.
- The illustrations may differ from the appearance of the actual product.
- For details, refer to the instructions for analogue proprietary telephones (such as the KX-T7700 series) in the Main Unit/PBX Manuals.

Important Information

For Users in the European Countries

This product is intended to be connected to Panasonic KX series PBX only.

For information of Compliance with EU relevant Regulatory Directives,

Contact to Authorized Representative:

Panasonic Testing Centre

Panasonic Marketing Europe GmbH

Winsbergring 15, 22525 Hamburg, Germany

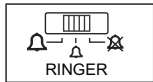
For Users in the United Kingdom

- This unit is capable of being used in conjunction with hearing aids fitted with inductive coil pick-ups. The handset should be held as for normal conversation. For operation, the hearing aid should be set to its "T" position or as directed in the operating instructions for the hearing aid.
- This unit is designed to aid the visually handicapped to locate dial keys and buttons.
- This unit is designed to be installed under controlled conditions of ambient temperature and a relative humidity.
- Avoid installing the unit in damp or humid environments, such as bathrooms or swimming pools.
- 999 and 112 can be dialed on the product after accessing the outside line for the purpose of making outgoing calls to the BT emergency (999) and (112) services.



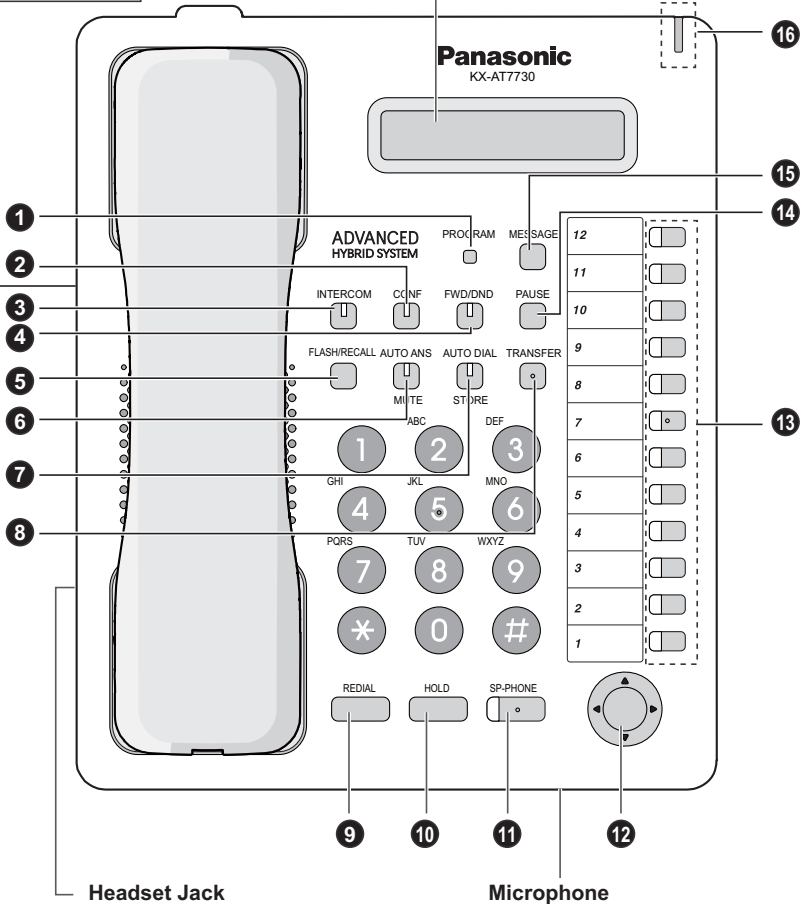
Location of Controls

RINGER Volume Selector



LCD (Liquid Crystal Display)

Panasonic
KX-AT7730



* The headsets can be used with this unit. (Not all operations with the headsets can be guaranteed.)

For up-to-date information about headsets that have been tested with this unit, refer to the following web sites:

<https://panasonic.net/cns/pcc/support/pbx/>

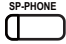

Location of Controls

- 1 **PROGRAM:** Used to enter and exit the programming mode.
- 2 **CONF (Conference):** Used to establish a multiple party conversation.
- 3 **INTERCOM:** Used to make or receive intercom calls.
- 4 **FWD/DND (Call Forwarding/Do Not Disturb):** Used to perform Call Forwarding or Do Not Disturb.
- 5 **FLASH/RECALL:** Used to disconnect the current call and make another call without hanging up.
- 6 **AUTO ANS (Auto Answer):**
Used to receive an incoming call in the hands-free mode.
MUTE: Used to mute the microphone during a conversation.
- 7 **AUTO DIAL/STORE:** Used for speed dialing or storing program changes.
- 8 **TRANSFER:** Used to transfer a call to another party.
- 9 **REDIAL (ordinarily):** Used to redial.
- 10 **HOLD:** Used to place a call on hold.
- 11 **SP-PHONE (Speaker Phone):**
Used for the hands-free operation.
- 12 **Navigator Key:** Used to adjust the volume and the display contrast or select desired items for each function.
- 13 **Flexible Outside (CO) Line Button:**
Used to make or receive an outside call. Pressing this button seizes an idle outside line automatically. (Button assignment is required.) Also used as the desired function buttons. (Button assignment is required.)
- 14 **PAUSE:** Used to insert a pause during dialing.
- 15 **MESSAGE:** Used to leave a message waiting indication or call back the party who left the message waiting indication.
- 16 **Message/Ringer Lamp:** The Message/Ringer lamp informs you visually that you have a message or a call.
 - When you receive a call, the lamp flashes depending on the ringing pattern. When someone has left you a message, the lamp is lit continuously.
 - When the ringing pattern is set to Single (Slow flash), Double (Moderate flash), or Triple (Rapid flash) in your PBX, the lamp flashes. When the other ringing patterns are set in your PBX, the lamp may not flash. (e.g., S-Double, Call Waiting Tone1).

Initial Settings

◆ **Speaker volume** *


While in on-hook or during a conversation

 → 

Press **SP-PHONE**. Press **Up** or **Down**.

◆ **Handset/Headset volume** *

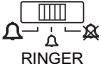
While using a handset or headset



Press **Up** or **Down**.

◆ **Ringer volume**

While in on-hook or receiving a call



Slide the lever of the **RINGER** Volume Selector to the desired setting (**HIGH/LOW/OFF**).

◆ **Display contrast** *

While in on-hook or receiving a call


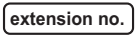


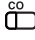






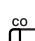





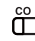












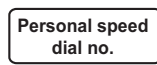



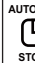

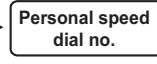



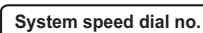



Press **Left** or **Right**.










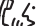




* The above settings may return to default settings if the telephone line cord is disconnected or the main unit's power is interrupted.

Features List

 Outside (CO) Line button
  Off-hook
  On-hook
  Feature number
  Talk

Desired Function	Operation
Making Calls	
Calling	<p>To an extension</p>  ►  ► 
	<p>To an external party</p>  ►  ►  ► 
Redial	 ►  ► 
One-touch Dialing	<p>To program</p>  ►  ►   ►  ► 
	<p>To dial</p>  ►  - assigned as a One-touch dialing button ► 
Calling an operator	 ►  ► 
Personal Speed Dialing	<p>To set</p>  ►   KX-TE Series   KX-TDA (excl. KX-TDA100D)/ KX-TDE/KX-NS/ KX-NCP/KX-NSX Series (Check the type of your Main Unit.)
	<p>►  ►  ► </p> <p>►  ►</p>
	<p>To dial</p>  ►   KX-TE Series  ► * box" data-bbox="420 715 450 735"/>  KX-TDA (excl. KX-TDA100D)/ KX-TDE/KX-NS/ KX-NCP/KX-NSX Series (Check the type of your Main Unit.)
	<p>►  ► </p>
System Speed Dialing	<p>To dial</p>  ►  ►  ► 



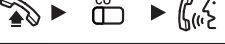


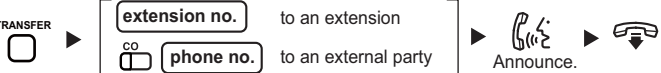
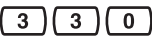


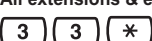


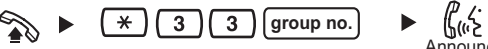


Features List

Desired Function	Operation	
Receiving Calls		
Hands-free answerback	<p><i>While on-hook</i></p> <p>AUTO ANS  MUTE</p>	
Picking up a call	<div style="border: 1px dashed black; padding: 10px;"> <p>Directed</p> <p><input type="checkbox"/> 4 extension no. <input type="checkbox"/> KX-TE Series</p> <p><input type="checkbox"/> * 4 1 extension no. <input type="checkbox"/> KX-TDA (excl. KX-TDA100D)/KX-TDE/KX-NS/KX-NCP/KX-NSX Series</p> <p>Group</p> <p><input type="checkbox"/> 4 0 <input type="checkbox"/> KX-TE Series</p> <p><input type="checkbox"/> * 4 0 group no. <input type="checkbox"/> KX-TDA (excl. KX-TDA100D)/KX-TDE/KX-NS/KX-NCP/KX-NSX Series</p> <p>(Check the type of your Main Unit.)</p> </div>	
When the Dialed Extension is Busy/No Answer		
Automatic Callback Busy	<p>To set <i>While hearing a busy tone</i></p> <p><input type="checkbox"/> 6 </p> <p>To answer <i>If you hear callback ringing</i></p> <p></p>	
Message Waiting	Sender	<p>To leave a notification</p> <p>MESSAGE </p> <hr/> <p>To cancel a notification</p> <p><input type="checkbox"/> KX-TE Series  extension no. MESSAGE MESSAGE </p> <p><input type="checkbox"/> KX-TDA (excl. KX-TDA100D)/KX-TDE/KX-NS/KX-NCP/KX-NSX Series  * 7 0 0 extension no. </p> <p>(Check the type of your Main Unit.)</p>
	Receiver	<p>To call back</p> <p> MESSAGE </p> <hr/> <p>To clear all notifications</p> <p><input type="checkbox"/> KX-TE Series  7 0 0 # </p> <p><input type="checkbox"/> KX-TDA (excl. KX-TDA100D)/KX-TDE/KX-NS/KX-NCP/KX-NSX Series  * 7 0 0 receiver's extension no. </p> <p>(Check the type of your Main Unit.)</p>











Features List

Desired Function	Operation	
When the Dialed Extension is Busy/No Answer		
Call Waiting	Sender	<p><i>While hearing a busy tone</i></p> <div style="display: flex; align-items: center;"> <div style="border-left: 1px solid black; border-right: 1px solid black; padding: 0 10px;"> <input type="checkbox"/> 2 KX-TE Series <input type="checkbox"/> 1 KX-TDA (excl. KX-TDA100D)/ KX-TDE/KX-NS/ KX-NCP/KX-NSX Series </div> <div style="margin-left: 10px;"> ▶ Wait for an answer. ▶ </div> </div> <p>(Check the type of your Main Unit.)</p>
	Receiver	<div style="border: 1px dashed black; padding: 10px;"> <p><input type="checkbox"/> KX-TE Series</p> <p>For outside calls</p> <div style="display: flex; align-items: center;"> <div style="border-left: 1px solid black; border-right: 1px solid black; padding: 0 10px;"> <input type="checkbox"/> 7 3 1 1 # Set <input type="checkbox"/> 7 3 1 0 # Cancel </div> </div> <p>For intercom calls/doorphone calls</p> <div style="display: flex; align-items: center;"> <div style="border-left: 1px solid black; border-right: 1px solid black; padding: 0 10px;"> <input type="checkbox"/> 7 3 2 1 # Set <input type="checkbox"/> 7 3 2 0 # Cancel </div> </div> <p><input type="checkbox"/> KX-TDA (excl. KX-TDA100D)/KX-TDE/KX-NS/ KX-NCP/KX-NSX Series</p> <p>For outside calls</p> <div style="display: flex; align-items: center;"> <div style="border-left: 1px solid black; border-right: 1px solid black; padding: 0 10px;"> <input type="checkbox"/> * 7 3 2 1 Set <input type="checkbox"/> * 7 3 2 0 Cancel </div> </div> <p>For intercom calls</p> <div style="display: flex; align-items: center;"> <div style="border-left: 1px solid black; border-right: 1px solid black; padding: 0 10px;"> <input type="checkbox"/> * 7 3 1 1 Set <input type="checkbox"/> * 7 3 1 0 Cancel </div> </div> <p>(Check the type of your Main Unit.)</p> </div>
<p>To talk to the new party (While hearing the Call Waiting tone)</p> <div style="display: flex; justify-content: space-between;"> <div style="width: 45%;"> <p>Terminating a current status</p> ▶ ▶ </div> <div style="width: 45%;"> <p>Holding a current status (outside call)</p> <p>HOLD ▶ CO / INTERCOM ▶ </p> <p>Holding a current status (extension)</p> <p>HOLD ▶ </p> </div> </div>		







Features List

Desired Function	Operation
During a Conversation	
Holding a call	<p>Holding</p> 
	<p>To retrieve a call at the holding extension</p> 
	<p>To retrieve an outside call from another extension</p> 
Holding a call exclusively	<p>Holding</p>  <p>To retrieve a call on exclusive hold</p> 
Transferring a call	<p>TRANSFER</p>  <p>to an extension</p> <p>to an external party</p> <p>Announce.</p>
Useful Features	
Paging	<p>To page</p> <p><input type="checkbox"/> KX-TE Series</p> <div style="border: 1px dashed black; padding: 5px;"> <p>All extensions</p>  <p>Group</p>  <p>All external speakers</p>  <p>All extensions & external speakers</p>  </div> <p>  Announce.</p> <p><input type="checkbox"/> KX-TDA (excl. KX-TDA100D)/KX-TDE/KX-NS/KX-NCP/KX-NSX Series</p>  Announce.
	<p>You can make a voice announcement to extensions or external speakers or both in the preset group simultaneously.</p> <p>To answer an announced page</p> <div style="border: 1px dashed black; padding: 5px;"> <p>Through a telephone speaker</p>  </div> <p>(Check the type of your Main Unit.)</p>
Three-party conference	<p>CONF</p> 

Features List

Desired Function	Operation
	<p style="text-align: center;">Useful Features</p> <p>Setting Absent Message</p> <p> <input type="checkbox"/> KX-TE Series <input type="checkbox"/> KX-TDA (excl. KX-TDA100D) <input type="checkbox"/> KX-TDE/KX-NS/ <input type="checkbox"/> KX-NCP/KX-NSX Series </p> <p>(Check the type of your Main Unit.)</p> <p>  ▶ [7 5 ▶ message no.] [* 7 5 0 ▶ message no.] ▶  </p> <p>▶ [parameter (if required)] ▶ # ▶ </p>
<p>Forwarding a call</p>	<p><input type="checkbox"/> KX-TE Series</p> <p>  ▶  ▶ </p> <p> All calls 1 ▶ extension no. Busy/No answer 2 ▶ extension no. To an outside line 3 ▶ line access code ▶ phone no. ▶ # ▶  Follow Me 5 ▶ your extension no. Follow Me Cancel 8 ▶ your extension no. Cancel 0 </p> <p><input type="checkbox"/> KX-TDA (excl. KX-TDA100D)/KX-TDE/KX-NS/KX-NCP/KX-NSX Series</p> <p>  ▶ * 7 1 [0 Both calls 1 Outside calls 2 Intercom calls] ▶ </p> <p> All calls 2 ▶ extension no. ▶ # Busy 3 ▶ extension no. ▶ # No answer 4 ▶ extension no. ▶ # Busy/No answer 5 ▶ extension no. ▶ # </p> <p> Follow Me 7 ▶ your extension no. Follow Me Cancel 8 ▶ your extension no. ▶  Cancel 0 </p> <p>(Check the type of your Main Unit.)</p>
<p>Clearing the setting</p>	<p>  ▶ [7 9 # * 7 9 0] ▶  </p> <p> <input type="checkbox"/> KX-TE Series <input type="checkbox"/> KX-TDA (excl. KX-TDA100D)/ <input type="checkbox"/> KX-TDE/KX-NS/ <input type="checkbox"/> KX-NCP/KX-NSX Series </p> <p>(Check the type of your Main Unit.)</p>

Features List

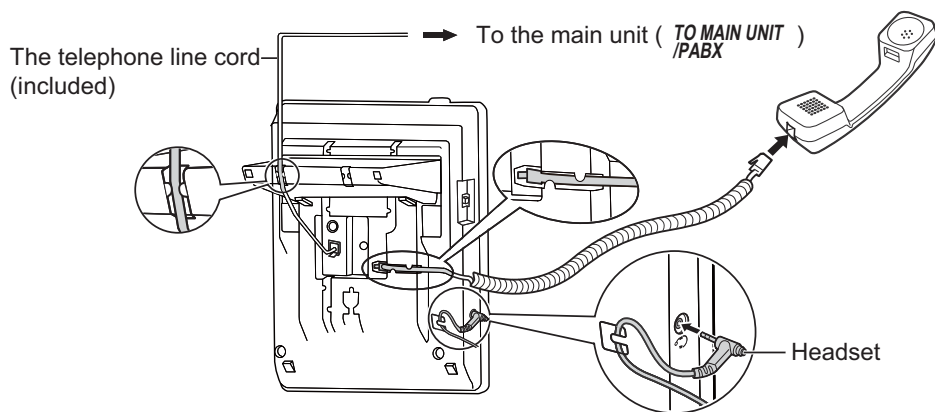
Desired Function	Operation
Useful Features	
Log-in/Log-out	<div style="border: 1px dashed black; padding: 10px;"> <p><input type="checkbox"/> KX-TE Series</p> <p>[7 3 6 0 #] For Log-in</p> <p>[7 3 6 1 #] For Log-out</p> <p><input type="checkbox"/> KX-TDA (excl. KX-TDA100D)/KX-TDE/KX-NS/ KX-NCP/KX-NSX Series</p> <p>[* 7 3 6 1] For Log-in</p> <p>[* 7 3 6 0] For Log-out</p> <p>[ICD Group* extension no. Specified]</p> <p>[* All]</p> <p>* ICD Group: Incoming Call Distribution Group (Check the type of your Main Unit.)</p> </div>
Do Not Disturb (DND)	<p><input type="checkbox"/> KX-TE Series</p> <p> FWD/DND  [4 Set] [0 Cancel]  # </p> <p><input type="checkbox"/> KX-TDA (excl. KX-TDA100D)/ KX-TDE/KX-NS/KX-NCP/ KX-NSX Series</p> <p> * 7 1 [0 Both calls] [1 Outside calls] [2 Intercom calls] [1 Set] [0 Cancel] </p> <p>(Check the type of your Main Unit.)</p>
Locking your extension	<div style="border: 1px dashed black; padding: 10px;"> <p><input type="checkbox"/> KX-TE Series</p> <p>[7 7 lock code lock code #] Lock</p> <p>[7 7 lock code #] Unlock</p> <p><input type="checkbox"/> KX-TDA (excl. KX-TDA100D)/KX-TDE/KX-NS/ KX-NCP/KX-NSX Series</p> <p>[* 7 7 1] Lock</p> <p>[* 7 7 0 extension PIN*] Unlock</p> <p>* PIN: Personal Identification Number (Check the type of your Main Unit.)</p> </div>

* Consult your dealer for more details about the feature access numbers.

Connection

Note

- Panasonic assumes no responsibility for injuries or property damage resulting from failures arising out of improper installation or operation inconsistent with this documentation.

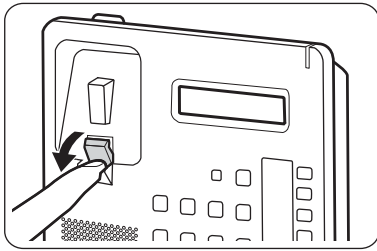


CAUTION

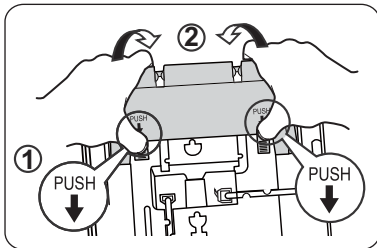
Ensure the cord is inserted in the groove to prevent damage to the connector.

Wall Mounting

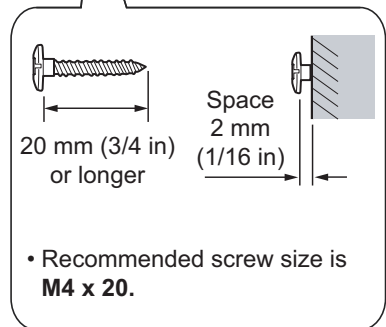
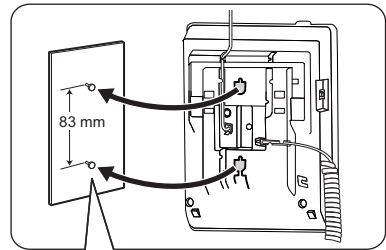
- 1 Pull down the handset hook until it locks, so the tab holds the handset.



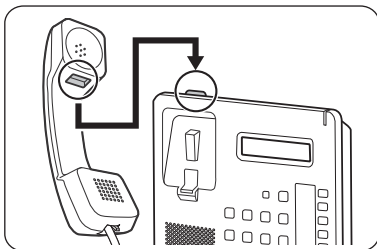
- 2 Remove the attached stand.



- 3 Mount the unit on the wall.



To temporarily place the handset down during a conversation, hook it over the top edge of the phone as shown.

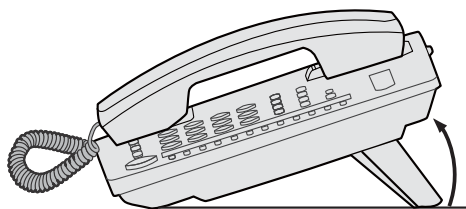


Note

The tilt angle of the unit can be adjusted.

To adjust the angle, attach the stand to the desired position.

<LOW>



<HIGH>

